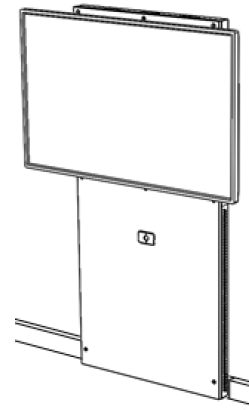


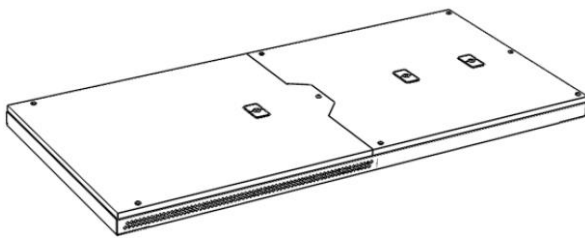
TP200-WM stand

Thank you for purchasing AVFI's TP200-WM Stand.
 This product is designed for stud or masonry mounting to a wall.
 Confirm all hardware is included before you begin assembly.
 Read these instructions start to finish before beginning installation.

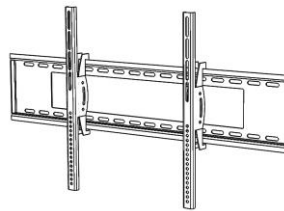
Note: If you cannot understand these instructions or are concerned about safety of the installation contact a qualified contractor or contact AVFI at 1-877-834-3876.



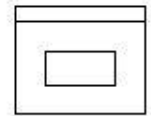
Supplied Parts



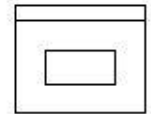
Tower



TV Bracket
(inside tower unit)



TV Bracket bag



LFT-WM hardware bag

Not all hardware supplied will be used.

Supplied Hardware (additional to hardware bags)



M8 X 40
(4)



M8 Nut
(4)



Fender Washer
(4)



5/8" Screw
(3)



Allen Key for Panel bolts
(1)

Tools required



Socket set



Pencil



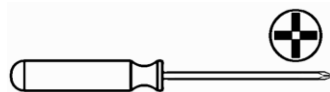
Drill bit set



Drill



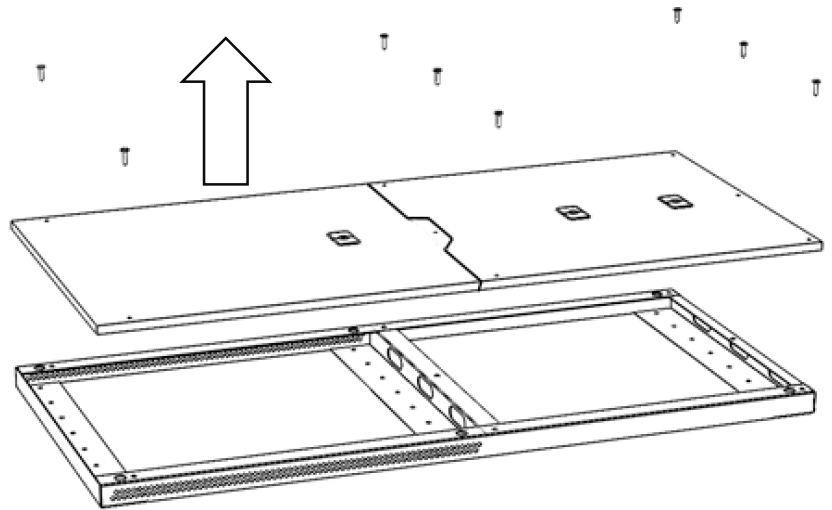
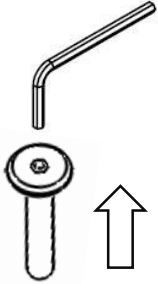
Stud Finder



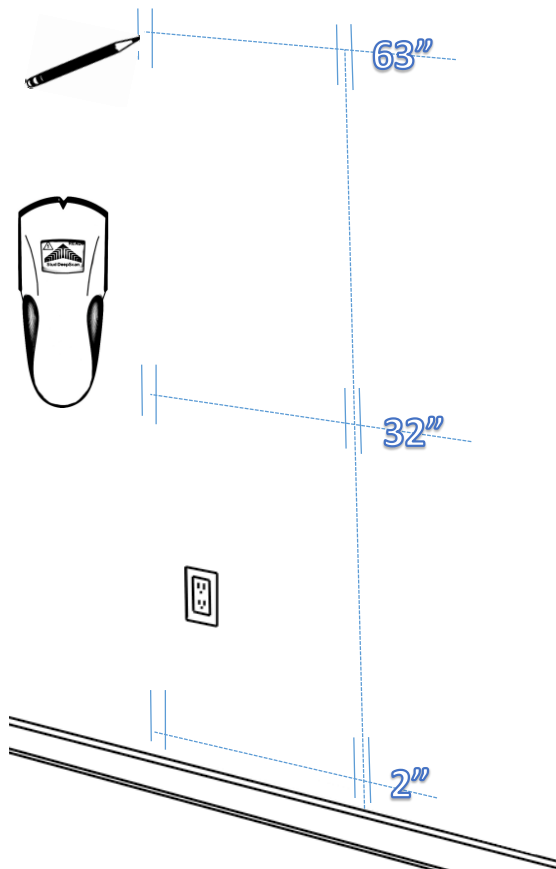
Phillips Screwdriver +

TP200-WM Stand

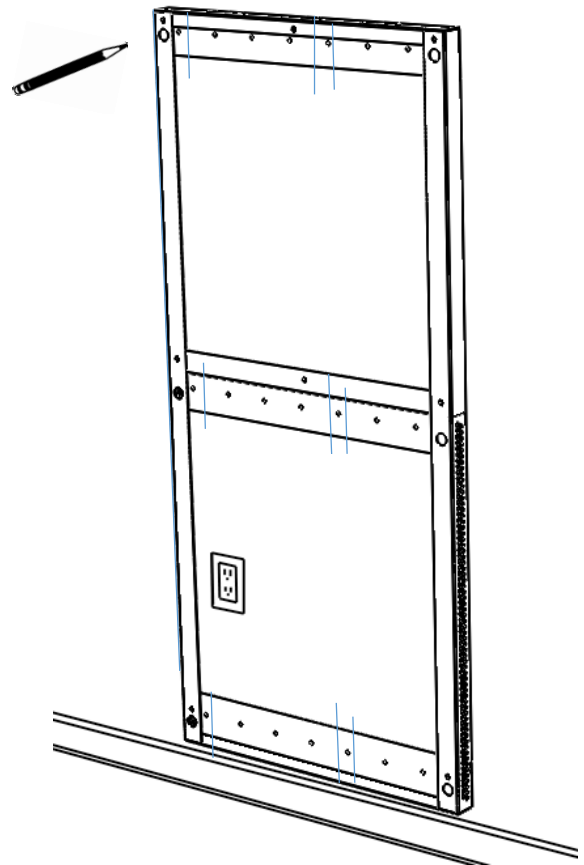
- 1** Remove panel bolts and lift off front panels.
Remove TV mount found inside.



- 2** Locate/mark studs using stud finder
If masonry, skip to next step.



- 3** Locate unit over marks and mark
Hole drilling locations

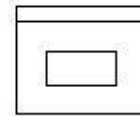


Unit can be on floor or above baseboard (shown)
Baseboard may require cut to accommodate.

TP200-WM Stand



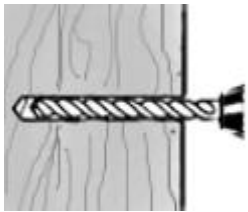
Drill bit set



LFT-WM hardware bag

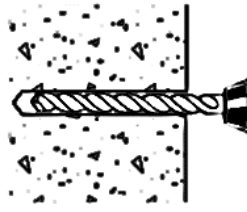
4 Drill wall and prepare for Bolts.

Wood

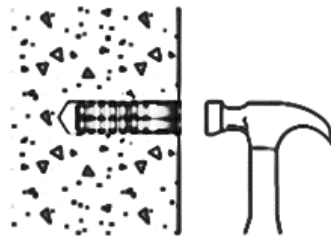


1 / 4" Drill

Masonry

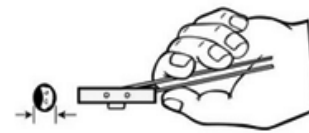


1 / 2" Drill

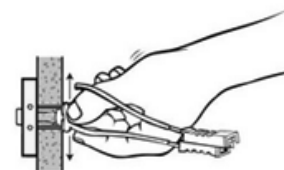
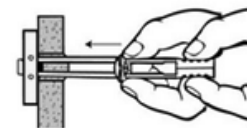


Lag Shield

Drywall



1 / 2" Drill



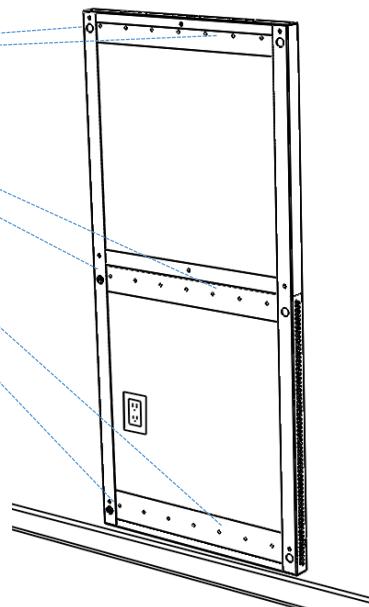
Toggle bolts



5 Install bolts using socket set.

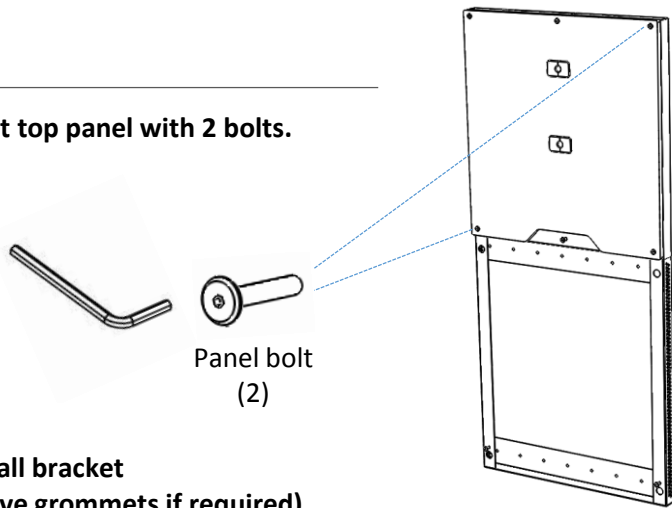


Bolts (6)



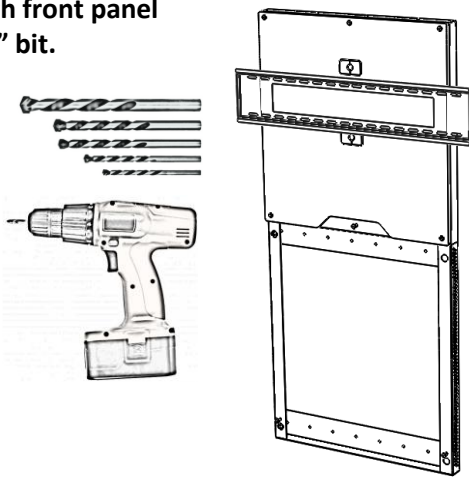
TP200-WM Stand

6 Temporarily Install front top panel with 2 bolts.



Panel bolt
(2)

7 Position and level TV Wall bracket
At desired height.(remove grommets if required)
Drill through front panel
with 11/32" bit.



8 Unbolt Panel from wall.
Attach TV Wall bracket Using M8x40 through TV
bracket and Panel, fender washer then nut.



M8 X 40
(4)

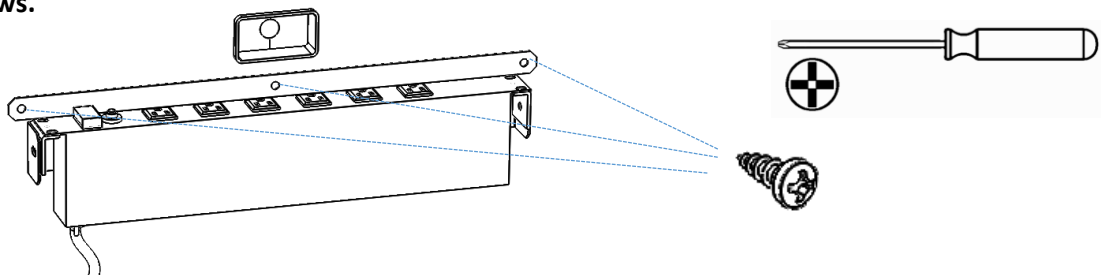


Fender Washer
(4)



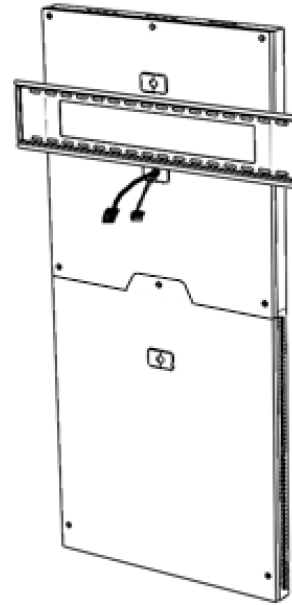
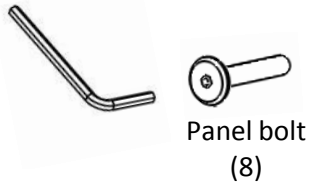
M8 Nut
(4)

9 Install 1U Rack equipment (optional)
Then attach vertical rack to back of panel
using 5/8" wood screws.

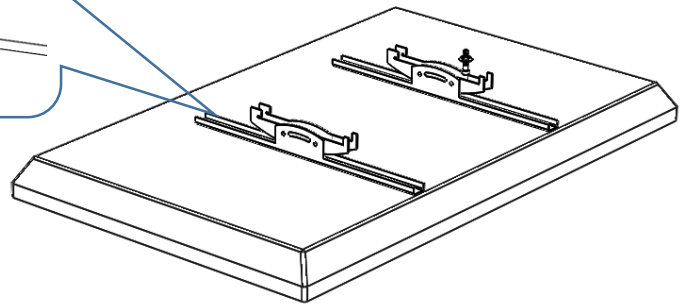
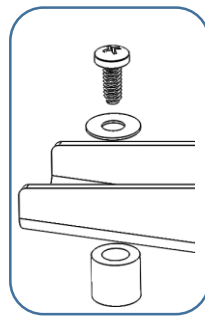
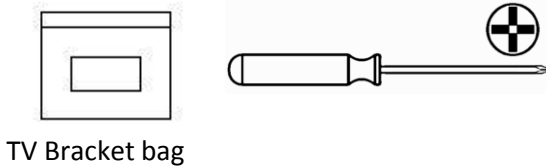


TP200-WM Stand

- 10** Run all cables/wiring to wall and through panel to TV.
Reinstall panels using panel bolts.



- 11** Mount Brackets to TV using Bracket bag kit. Use spacers only if required. (TV rear not flat)



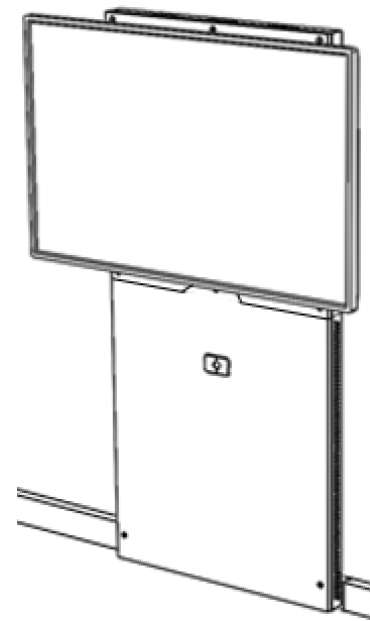
- 12** Hang TV (2 People recommended)
Connect Cables and test.

Available Options:

TVCB- Camera Shelf for Above TV.

TVCB-XL- Large Camera Shelf for Above TV 70"+

PB- 6 outlet power bar.



Finished.