

Date \_\_\_\_\_  
 AVFI Sales REP \_\_\_\_\_  
 Customer Signature \_\_\_\_\_

Quote No. \_\_\_\_\_  
 Customer No. \_\_\_\_\_  
 AVFI No. \_\_\_\_\_

Office Use Only

To generate your order form, please refer to the information provided below to insert the alphabetic and/or numeric code in the respective category boxes. Please note that without this filled out Order Form, your purchase **cannot** be processed.

| 1 Product Model     | 2 Finishes |           | 3 Chargeable Accessories (One Code Per Box) |  |  |  |  |  |  | 4 Custom Cutouts |
|---------------------|------------|-----------|---|--|--|--|--|--|--|------------------|
|                     | Fabric     | Table Top |   |  |  |  |  |  |  |                  |
| <b>MS200-01 SET</b> |            |           |   |  |  |  |  |  |  |                  |

**1 Product Model**

Code **MS200-01 SET**



\*Monitor not included

**Standard Components Included:**

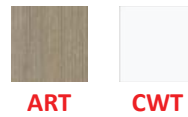
- 5x MS223SW (Seat Wedge), 2x MS223IB (Inside Back), 1x MS223OB (Outside Back), 1x MS242CT (Coffee Table), 1x MS245IT (Inside Standing Table), 1x CHLD245 (Cup Holder), 2x MS215ET (End Table), 1x SYZ42 (Mobile Stand), 2x CUB4 (Power Panel), 1x CHGQIW/B (Wireless Charging Station White/Black), 1x CHGQI-DNGL (Dongle Lightning, 30 pin, Micro-USB)
- Note:** Metal legs, ganging connectors and hardware are included.

**2 Choose Product Finish**

**Fabrics**



**Table Top Finishes**



**Comments (Please use this section to provide additional information)**

---

---

---

---

---

---

---

---

---

---

**3 Chargeable Accessories (Check all that apply)**

- Code **00** No Accessories
- Code **E1** **PB** 6 Outlet Power Bar .....Qty \_\_\_\_\_
- Code **EA** **CUB4S** Silver Power Panel .....Qty \_\_\_\_\_
- Code **EB** **CUB4B** Black Power Panel .....Qty \_\_\_\_\_
- Code **EC** **CHGQIW** Wireless Charging Station White.....Qty \_\_\_\_\_
- Code **EF** **CHGQIB** Wireless Charging Station Black.....Qty \_\_\_\_\_
- Code **ED** **CHGQI-DNGL** Dongle Lightning, 30 pin, Micro-USB Qty \_\_\_\_\_
- Code **N7** **CHLD45** Cup Holder, available for MS245IT Standing Table (2 max) .....Qty \_\_\_\_\_

**Note:** Codes **EA, EB, EC, EF** are available for the **MS215ET End Table** (2 Maximum. Cutout required for each accessory). Code **ED** require **CHGQIW/B**

**Notes**

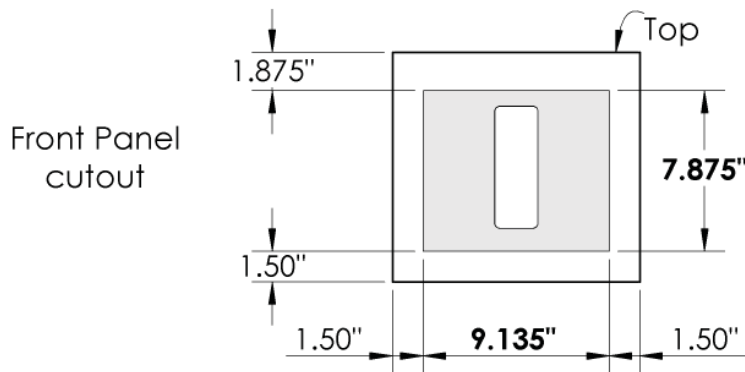
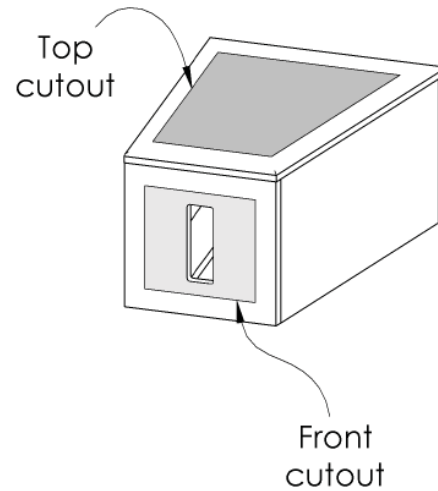
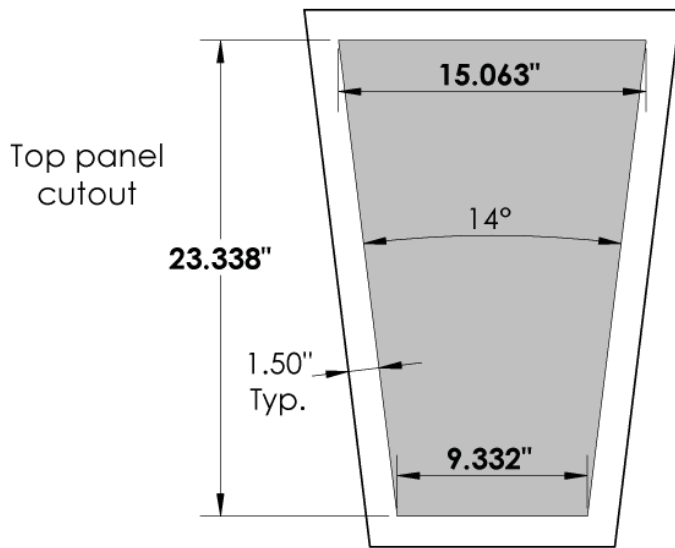
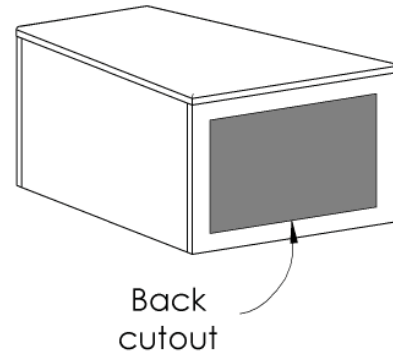
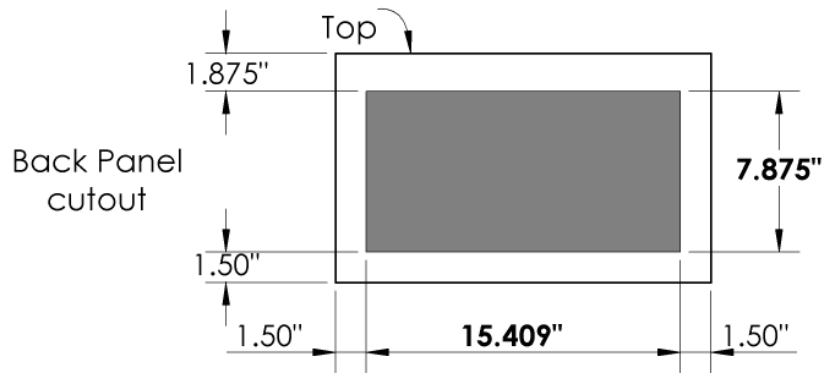
**CAD Drawings/Symbols**  
 CAD drawings are available by request at sales@vegroup.net  
**Custom Cutouts**  
 Estimated lead time within 20 business days from receipt of P.O. and signed drawings.

Custom Cutout Option on Page 2 (Available for MS215ET End Table Only)

Please indicate custom cutout location on the drawing(s) below

4 Custom Cutout Option (Extra charges will apply)

**MS215ET End Table**



Code **CO** No Custom Cutout

Code **CC** Custom Cutout (Specify on Cutout Area Above)

 Cutout Area - Front Panel (9.135" W X 7.875" H)

 Cutout Area - Top Panel (9.332"/15.063" W X 23.338" D)

 Cutout Area - Back Panel (15.509" W X 7.875" H)