

Date _____
 AVFI Sales REP _____
 Customer Signature _____

Quote No. _____
 Customer No. _____
 AVFI No. _____

Office Use Only

To generate your order form, please refer to the information provided below to insert the alphabetic and/or numeric code in the respective category boxes. Please note that without this filled out Order Form, your purchase **cannot** be processed.

1 Product Model	2 Finishes		3 Chargeable Accessories (One Code Per Box)							4 Custom Cutouts
	Fabric	Table Top								
MS200-04 SET										

1 Product Model



Code **MS200-04 SET**

Standard Components Included:
 5x MS223SW (Seat Wedge), 2x MS223IB (Inside Back),
 1x MS223OB (Outside Back), 1x MS242CT (Coffee Table),
 2x MS215ET (End Table), 2x CUB4 (Power Panel)

Note: Metal legs, ganging connectors and hardware are included.

2 Choose Product Finish

Fabrics

					
FNB212	FNB009	FNB059	FNB069	FEG059	FEG304

Table Top Finishes

	
ART	CWT

Comments (Please use this section to provide additional information)

3 Chargeable Accessories (Check all that apply)

Code **00** No Accessories
 Code **E1** **PB** 6 Outlet Power BarQty _____
 Code **EA** **CUB4S** Silver Power PanelQty _____
 Code **EB** **CUB4B** Black Power PanelQty _____
 Code **EC** **CHGQIW** Wireless Charging Station White.....Qty _____
 Code **EF** **CHGQIB** Wireless Charging Station Black.....Qty _____
 Code **ED** **CHGQI-DNGL** Dongle Lightning, 30 pin, Micro-USB.....Qty _____

Note: Codes **EA, EB, EC, EF** are available for the **MS215ET End Table** (2 Maximum. Cutout required for each accessory). Code **ED** require **CHGQIW/B**

Notes

CAD Drawings/Symbols
 CAD drawings are available by request at sales@vegroup.net

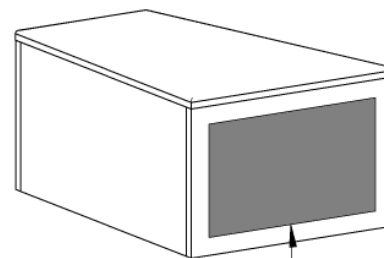
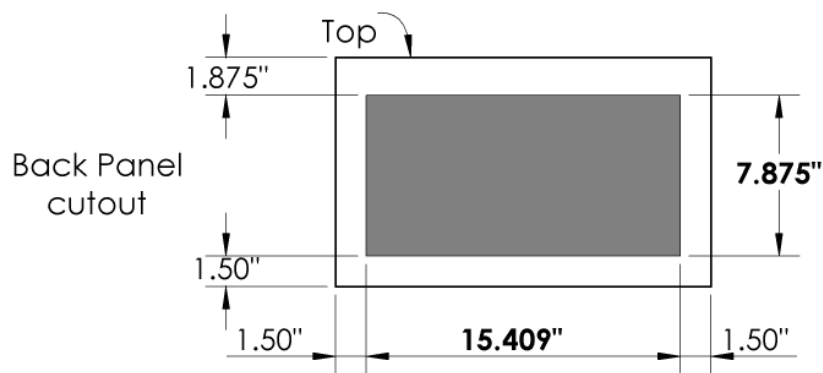
Custom Cutouts
 Estimated lead time within 20 business days from receipt of P.O. and signed drawings.

Custom Cutout Option on Page 2 (Available for MS215ET End Table Only)

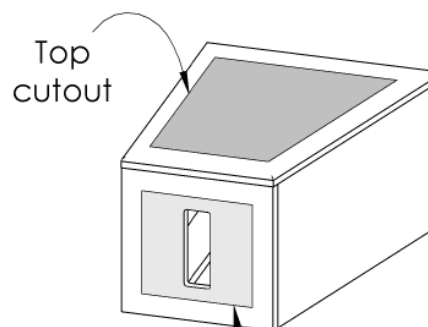
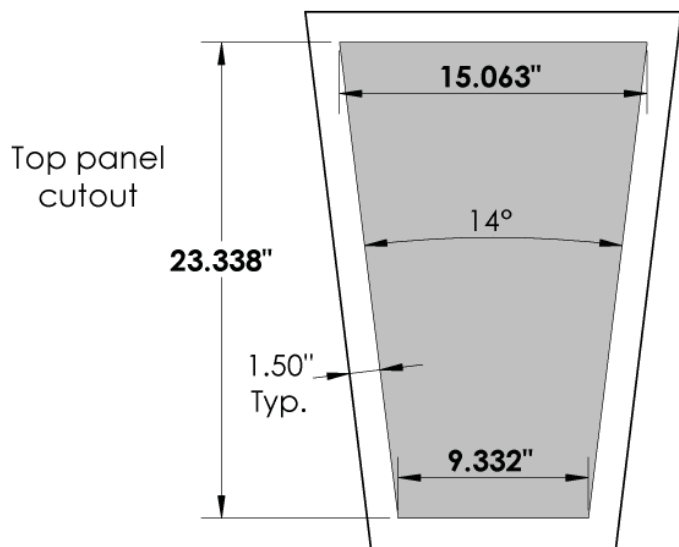
Please indicate custom cutout location on the drawing(s) below

4 Custom Cutout Option (Extra charges will apply)

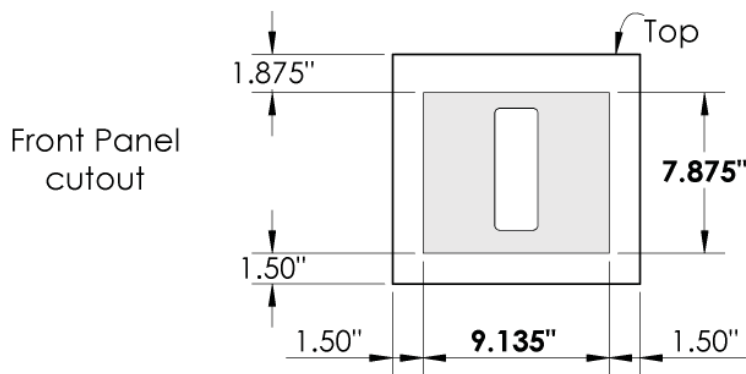
MS215ET End Table



Back cutout



Top cutout



Front cutout

Code **CO** No Custom Cutout

Code **CC** Custom Cutout (Specify on Cutout Area Above)

 Cutout Area - Front Panel (9.135" W X 7.875" H)

 Cutout Area - Top Panel (9.332"/15.063" W X 23.338" D)

 Cutout Area - Back Panel (15.509" W X 7.875" H)