

Date \_\_\_\_\_  
 AVFI Sales REP \_\_\_\_\_  
 Customer Signature \_\_\_\_\_

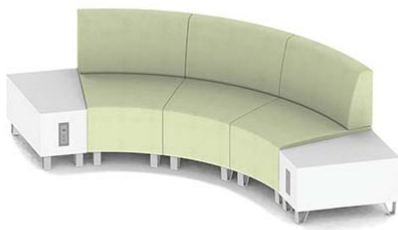
Quote No. \_\_\_\_\_  
 Customer No. \_\_\_\_\_  
 AVFI No. \_\_\_\_\_

Office Use Only

To generate your order form, please refer to the information provided below to insert the alphabetic and/or numeric code in the respective category boxes. Please note that without this filled out Order Form, your purchase **cannot** be processed.

1 Product Model	2 Finishes		3 Chargeable Accessories (One Code Per Box)							4 Custom Cutouts
	Fabric	Table Top								
<b>MS200-07 SET</b>										

**1 Product Model**



Code **MS200-07 SET**

**Standard Components Included:**

3x MS223SW (Seat Wedge), 3x MS223IB (Inside Back),  
 2x MS215ET (End Table), 2x CUB4 (Power Panel)

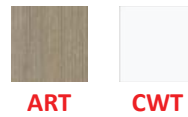
**Note:** Metal legs, ganging connectors and hardware are included.

**2 Choose Product Finish**

**Fabrics**



**Table Top Finishes**



**Comments (Please use this section to provide additional information)**

---

---

---

---

---

---

---

---

**3 Chargeable Accessories (Check all that apply)**

- Code **00** No Accessories
- Code **E1** **PB** 6 Outlet Power Bar .....Qty \_\_\_\_\_
- Code **EA** **CUB4S** Silver Power Panel .....Qty \_\_\_\_\_
- Code **EB** **CUB4B** Black Power Panel .....Qty \_\_\_\_\_
- Code **EC** **CHGQIW** Wireless Charging Station White.....Qty \_\_\_\_\_
- Code **EF** **CHGQIB** Wireless Charging Station Black .....Qty \_\_\_\_\_
- Code **ED** **CHGQI-DNGL** Dongle Lightning, 30 pin, Micro-USBQty \_\_\_\_\_

**Note:** Codes **EA, EB, EC, EF** are available for the **MS215ET End Table** (2 Maximum. Cutout required for each accessory). Code **ED** require **CHGQIW/B**

**Notes**

**CAD Drawings/Symbols**

CAD drawings are available by request at sales@vegroup.net

**Custom Cutouts**

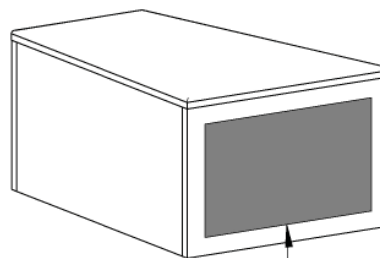
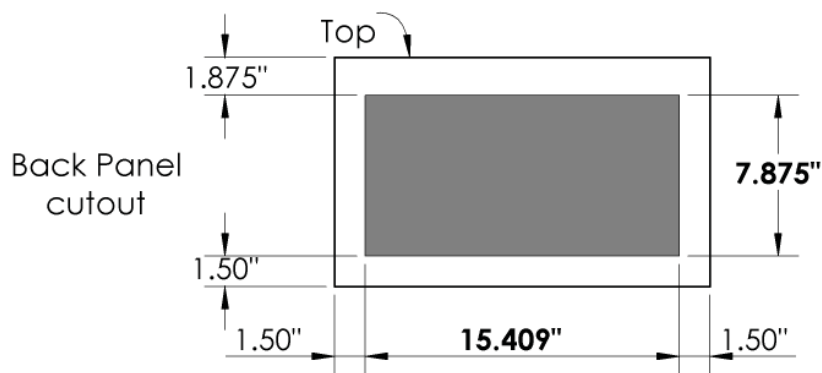
Estimated lead time within 20 business days from receipt of P.O. and signed drawings.

Custom Cutout Option on Page 2 (Available for MS215ET End Table Only)

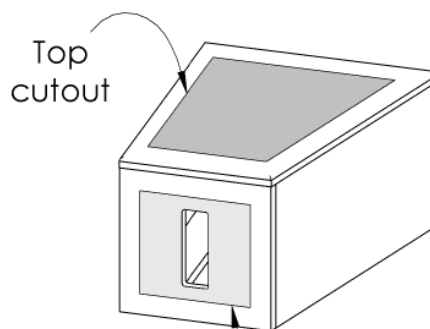
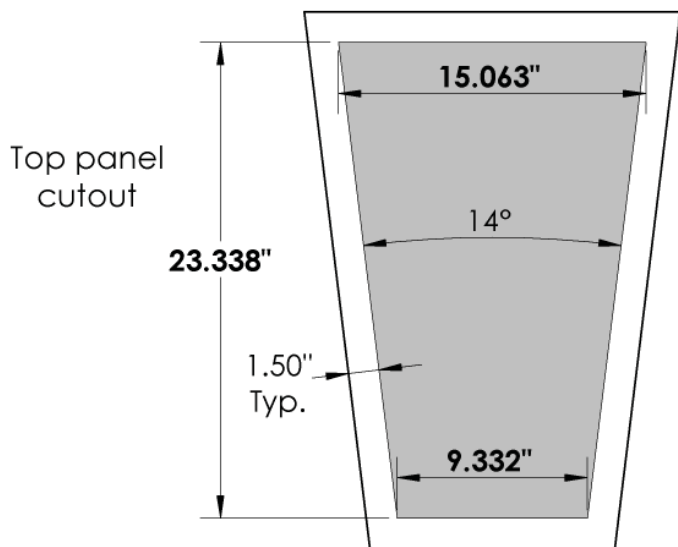
Please indicate custom cutout location on the drawing(s) below

**4** Custom Cutout Option (Extra charges will apply)

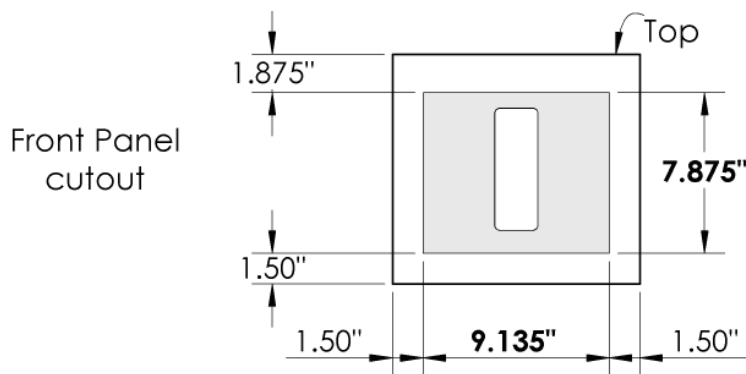
**MS215ET End Table**



Back cutout



Top cutout



Front cutout

Code **CO** No Custom Cutout

Code **CC** Custom Cutout (Specify on Cutout Area Above)

Cutout Area - Front Panel (9.135" W X 7.875" H)

Cutout Area - Top Panel (9.332"/15.063" W X 23.338" D)

Cutout Area - Back Panel (15.509" W X 7.875" H)