

Date _____
 AVFI Sales REP _____
 Customer Signature _____

Quote No. _____
 Customer No. _____
 AVFI No. _____

Office Use Only

To generate your order form, please refer to the information provided below to insert the alphabetic and/or numeric code in the respective category boxes. Please note that without this filled out Order Form, your purchase **cannot** be processed.

1 Product Model	2 Finish	3 Chargeable Accessories (One Code Per Box)	4 Custom Cutouts
MS215ET			


1 Product Model



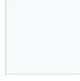
Code **MS215ET**

Note: Metal legs, ganging connectors and hardware are included.

2 Choose Product Finish



ART



CWT

Comments (Please use this section to provide additional information)

3 Chargeable Accessories (Check all that apply)

Code **00** No Accessories

Code **E1** **PB** 6 Outlet Power BarQty _____

Code **EA** **CUB4S** Silver Power PanelQty _____

Code **EB** **CUB4B** Black Power PanelQty _____

Code **EC** **CHGQIW** Wireless Charging Station White.....Qty _____

Code **EF** **CHGQIB** Wireless Charging Station Black.....Qty _____

Code **ED** **CHGQI-DNGL** Dongle Lightning, 30 pin, Micro-USB Qty _____

Note:
 Codes **EA, EB, EC, EF** (2 Maximum. Cutout required for each accessory)
 Code **ED** require **CHGQIW/B**

Notes

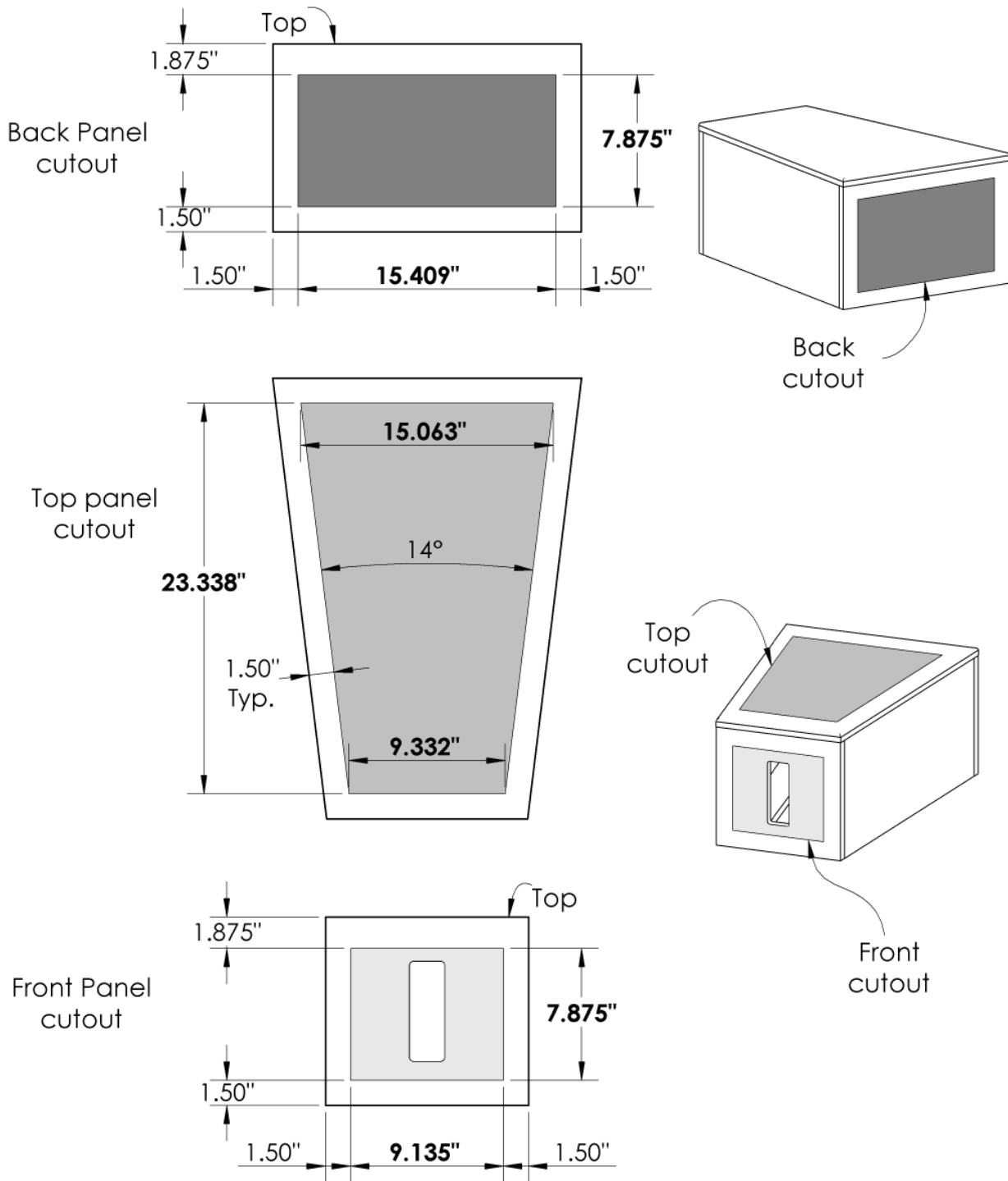
CAD Drawings/Symbols
 CAD drawings are available by request at sales@vegroup.net

Custom Cutouts
 Estimated lead time within 20 business days from receipt of P.O. and signed drawings.

Custom Cutout Option on Page 2

Please indicate custom cutout location on the drawing(s) below

4 Custom Cutout Option (Extra charges will apply)



Code **CO** No Custom Cutout

Code **CC** Custom Cutout (Specify on Cutout Area Above)

■ Cutout Area - Front Panel (9.135" W X 7.875" H)

■ Cutout Area - Top Panel (9.332"/15.063" W X 23.338" D)

■ Cutout Area - Back Panel (15.509" W X 7.875" H)